

# Corner Mount Bracket - INSX151

**Material:** Aluminium

**Dimensions:** 270mm x 170mm x 150mm

**Color:** White

**Type of Installation:** Corner

**Net Weight:** 1.7kg

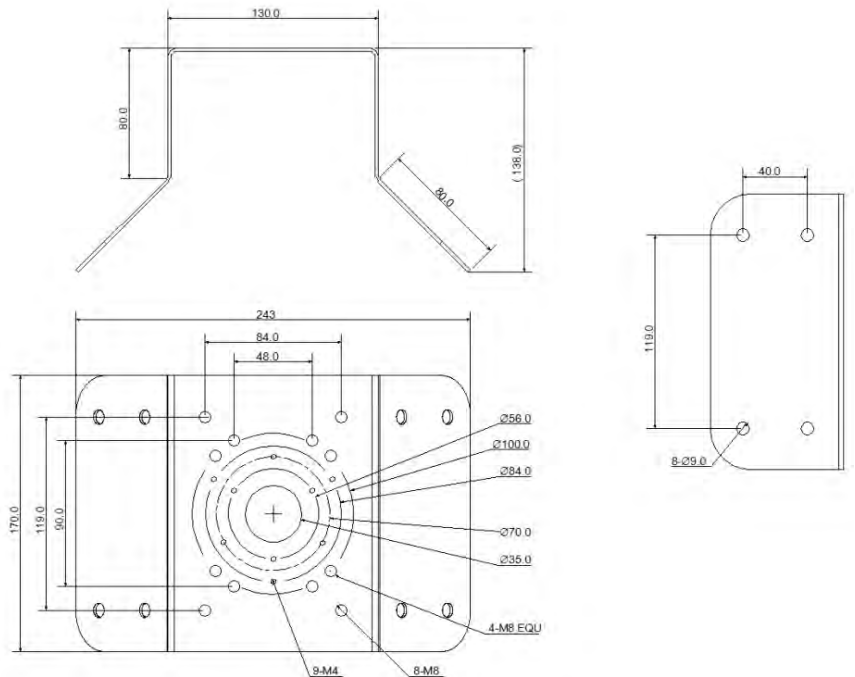
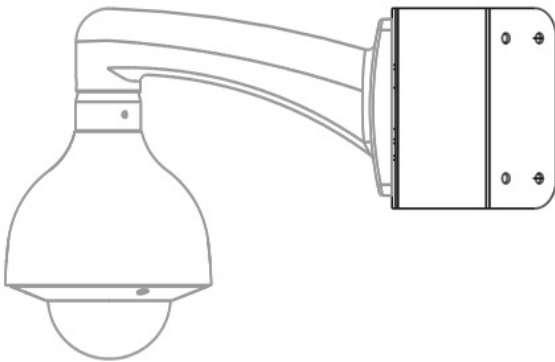
**Load Bearing Capacity:** 10kg

**Work with:** INSX303 or INSX150 or INSX134 or INSX130 or INSX120



## Dimensions (mm)

## Applications



## Work with:



INSX303



INSX150



INSX134



INSX130



INSX120